

EEL 4712
Midterm 3 – Spring 2012
VERSION 1

Name: _____

UFID: _____

Sign your name here if you would like for your test to be returned in class:

IMPORTANT:

- Please be neat and write (or draw) carefully. If we cannot read it with a reasonable effort, it is assumed wrong.
- **As always, the best answer gets the most points.**

COVER SHEET:

Problem#:	Points
1 (6 points)	
2 (10 points)	
3 (5 points)	
4 (5 points)	
5 (5 points)	
6 (12 points)	
7 (6 points)	
8 (12 points)	
9 (5 points)	
10 (5 points)	
11 (25 points)	
12 (5 points)	

Total:

Regrade Info:

```

ENTITY __entity_name IS
PORT(__input_name, __input_name : IN STD_LOGIC;
__input_vector_name : IN STD_LOGIC_VECTOR(__high downto __low);
__bidir_name, __bidir_name : INOUT STD_LOGIC;
__output_name, __output_name : OUT STD_LOGIC);
END __entity_name;

ARCHITECTURE a OF __entity_name IS
SIGNAL __signal_name : STD_LOGIC;
BEGIN
-- Process Statement
-- Concurrent Signal Assignment
-- Conditional Signal Assignment
-- Selected Signal Assignment
-- Component Instantiation Statement
END a;

__instance_name: __component_name PORT MAP (__component_port => __connect_port,
__component_port => __connect_port);

WITH __expression SELECT
__signal <= __expression WHEN __constant_value,
__expression WHEN __constant_value,
__expression WHEN __constant_value,
__expression WHEN __constant_value;

__signal <= __expression WHEN __boolean_expression ELSE
__expression WHEN __boolean_expression ELSE
__expression;

IF __expression THEN
__statement;
__statement;
ELSIF __expression THEN
__statement;
__statement;
ELSE
__statement;
__statement;
END IF;

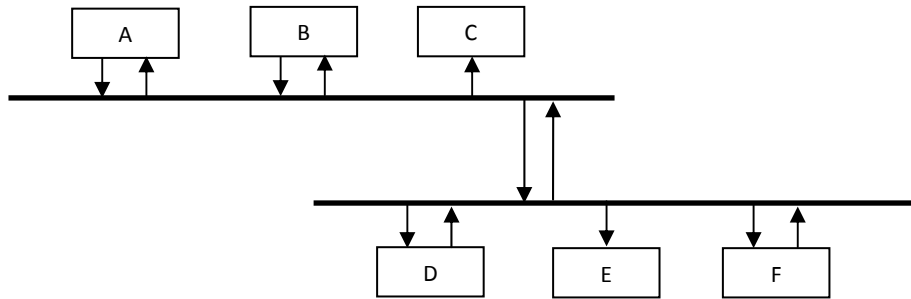
CASE __expression IS
WHEN __constant_value =>
__statement;
__statement;
WHEN __constant_value =>
__statement;
__statement;
WHEN OTHERS =>
__statement;
__statement;
END CASE;

<generate_label>: FOR <loop_id> IN <range> GENERATE
-- Concurrent Statement(s)
END GENERATE;

```

1) (5 points) For a call instruction at address 0x30, show the state of the stack after the call but before the corresponding return. You can omit any data that was on the stack prior to the call instruction. Instead of showing an explicit address in the stack pointer, just point to the top of the stack.

2) a. (5 points) For the following buses, show the synthesized circuit for an FPGA. Be sure to show inputs and outputs for all entities connected to the bus.



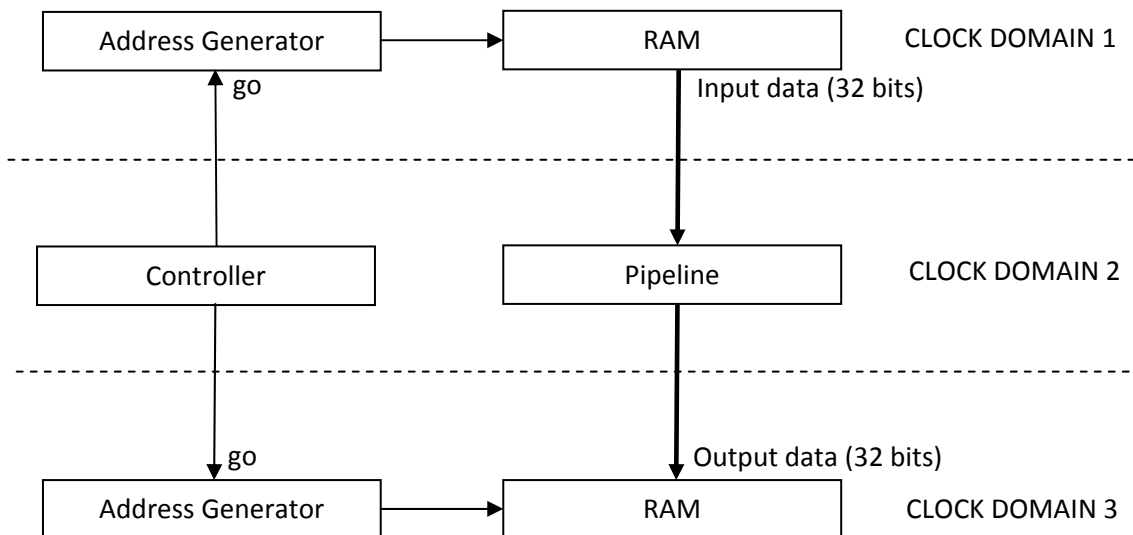
b. (5 points) What potential problem will be identified during synthesis for the circuit in part a?

- 3) (5 points) True/False. A dual-flop synchronizer addresses metastability problems by waiting one cycle to guarantee that the metastable output has stabilized.

- 4) (5 points) Name two situations where the input to a flip-flop may change during the setup and hold window.

- 5) (5 points) In what unique situation can a dual-flop synchronizer be used to synchronize multiple bits?

- 6) (12 points) Show where synchronizers should be used in the following schematic to handle all communication across clock domains. Make sure to label the type of synchronizer. You do not need to show how the synchronizer is implemented.



- 7) (6 points) *Briefly* describe what will happen while simulating the following 2-process FSM. Identify the problematic line(s) of code, if any.

```
library ieee;
use ieee.std_logic_1164.all;
use ieee.numeric_std.all;

entity fsmd is
  port( clk : in std_logic;
        rst : in std_logic;
        go  : in std_logic;
        done : out std_logic);
end fsmd;

architecture bhv of fsmd is

  type STATE_TYPE is (S_START, S_COUNT, S_DONE);
  signal state, next_state : STATE_TYPE;
  signal count              : unsigned(3 downto 0);
  constant MAX_COUNT_VAL : natural := 10;

begin

  process (clk, rst)
  begin
    if (rst = '1') then
      state <= S_START;
    elsif (clk = '1' and clk'event) then
      state <= next_state;
    end if;
  end process;

  process(go, state, count)
  begin

    case state is
      when S_START =>

        done <= '0';
        count <= to_unsigned(1, count'length);

        if (go = '0') then
          next_state <= S_START;
        else
          next_state <= S_COUNT;
        end if;

      when S_COUNT =>

        done <= '0';
        count <= count + 1;

        if (count = MAX_COUNT_VAL) then
          next_state <= S_DONE;
        else
          next_state <= S_COUNT;
        end if;

      when S_DONE =>

        count <= to_unsigned(MAX_COUNT_VAL, count'length);
        done <= '1';
        next_state <= S_DONE;

      when others => null;
    end case;

  end process;
end bhv;
```

8) (12 points) Create a memory initialization file for the following assembly code. Add a comment at the beginning of each instruction. *You will likely need to break your answer up into two columns to fit on the page.*

```
INPORT0      EQU    $FFFE
OUTPORT0     EQU    $FFFE

BEGIN:
    LDAA     INPORT0
    STAA     COUNT
AGAIN:
    LDAA     VALUE
    CLRC
    RORC
    STAA     VALUE
    LDAA     COUNT
    DECA
    STAA     COUNT
    BNEA     AGAIN
    LDAA     VALUE
    STAA     OUTPORT0

INFINITE_LOOP:
    CLRC
    BCCA     INFINITE_LOOP

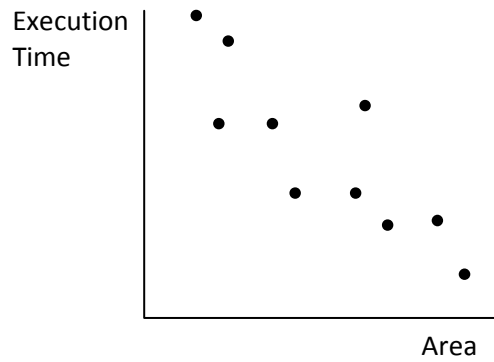
* Data Area
VALUE: dc.b  $AA
COUNT: ds.b 1

        END     BEGIN

Depth = 256;
Width = 8;
Address_radix = hex;
Data_radix = hex;
% Program RAM Data %
Content
    Begin
```

```
[      ..00FF] : 00;
End;
```

- 9) (5 points) For the set of implementations shown below, circle the implementations that are Pareto optimal. List any assumptions.



- 10) (5 points) Although loop unrolling (wide parallelism) and pipelining (deep parallelism) can sometimes achieve the same performance, briefly explain why loop unrolling by itself might not be Pareto optimal.

- 11) a. (20 points) For the following pseudo-code, create a non-pipelined implementation. List the datapath resources and the corresponding schedule. You do **not** need to show all datapath connections, just the computational resources. **Assume all memory accesses take 1 cycle. Assume all operations take 1 cycle, except for the divide, which takes 5 cycles. Show the estimated execution time in cycles assuming the if branch is always taken.** If your schedule is non-obvious, make sure to explain.

```
float q_val = q[50];
float m_val = m[50];
for (k=0; k < 10000; k++) {
    float diff = q[k] - q_val;
    float diff3 = diff * diff * diff;
    if (diff3 < 0) diff3 = diff3 * -1.0;
    a[i] = m_val*m[k]*diff / diff3;
}
```

Schedule:

Datapath:

b. (5 points) Assume you are given a pipelined datapath that implements the loop in part a. The pipeline has a latency of 32 cycles and does not use any unrolling. What is the execution time in cycles when using this pipeline?

12) (5 points) Application design productivity using HDLs is an order of magnitude lower than approaches for other devices (CPUs, GPUs). What is the name of the research area that aims to enable FPGA design from high-level languages?